



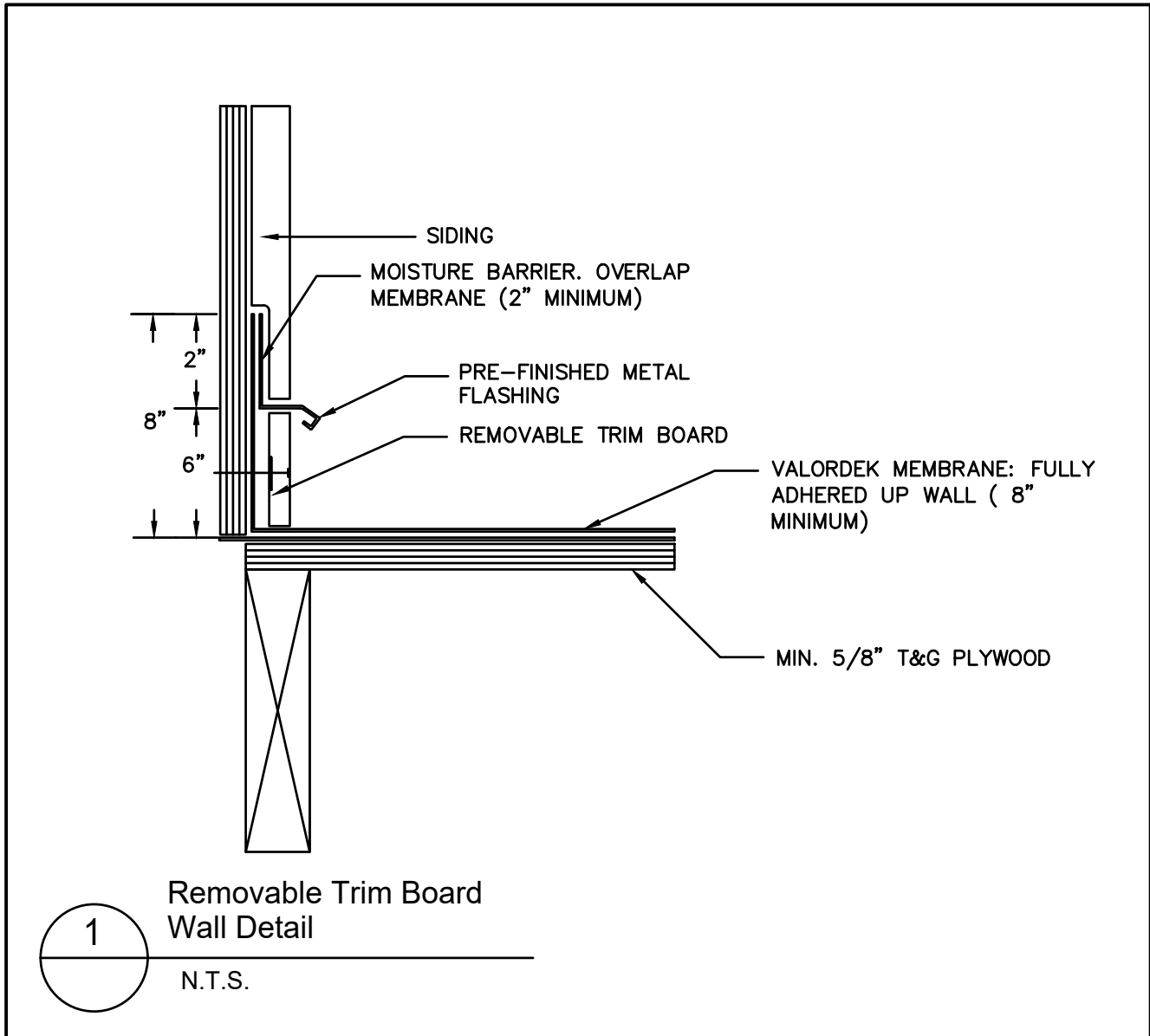
Email - info@valordek.com

Phone - (604) 576 0754

Fax - (604) 576 1285

Toll Free - 1 (800) 400 6155

Address - 17514 55B Ave, Surrey, BC, V3S 7G6



Notes:

As a supplier of a finished product only, Valordek Vinyl Product does not assume responsibility for errors in engineering, dimensions, or design. The architect, contractor or owner's representative must verify all suitability details

| | | |
|----------|----------------------|------|
| designed | scale | date |
| drawn | project no. Training | |
| checked | drawing no. | rev. |
| approved | VD-108 | |